

ADC AD-22

22-lb Capacity Coin Dryer

Standard Features:

- 22-lb. capacity
- 7.5 cu. ft basket volume
- 26,000 btu/hr heat input, 220 cfm. airflow
- Partial axial airflow
- Steel door with gasketless glass
- Only 27" wide
- Available in gas and electric
- Available in white front and cabinet

Optional Features:

- Stainless steel front, cabinet & basket
- S.A.F.E. (Sensor Activated Fire Extinguishing System)



AD-22 Coin Dryer

Why Purchase ADC AD-22?

Engineer Driven Design That is Built to Last

Our dryers showcase ADC's engineer-driven approach to design. Bearings are permanently lubricated on the motor and drive system. There are no chains used at ADC; rather, we use V-belts and pulleys for smooth, quiet, and trouble free operation. Our dryer cabinets are electrostatically powder-painted inside and out then baked at 420-degrees fahrenheit before final assembly - ensuring the hardest surface and the longest lasting finish in the industry.

Rugged Steel Door with Gasketless Door Glass

Our dryer doors are one solid piece of steel with gasketless glass. This eliminates the issue of glass falling out due to wear and tear on rubber gaskets that some manufacturers use to secure their glass. The security and durability that gasketless glass provides is essential to a successful laundromat operation.

More for Less

The AD-22 incorporates all the state-of-the-art design features from the leader in stack dryer design-with simple controls, an easy-to-read LCD screen. The AD-22 includes efficient partial axial airflow and rugged roller supported tumblers. This space saving dryer is only 27" wide with a large capacity tumbler that can handle oversized loads. The extra large door opening makes loading and unloading easy.

Your local ADC independent authorized distributor



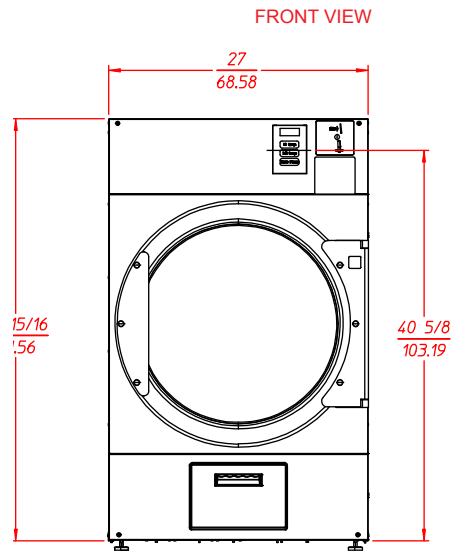
ADC AD-22

AD-22 Specifications

| Tumbler Capacity (dry weight) | 22 lbs. (9.698 kg) | | | | | | | | | | |
|-------------------------------|---|----------------------|--|----|------------------|-----|----------------|-----|----------------|-----|----------------|
| Tumbler Diameter | 25-3/4" (65.41 cm) | | | | | | | | | | |
| Tumbler Depth | 24-3/4" (62.87 cm) | | | | | | | | | | |
| Tumbler Volume | 7-1/2 cu ft (212.38 L) | | | | | | | | | | |
| Tumbler/Drive Motor | 1/3 hp (0.25 kW) | | | | | | | | | | |
| Blower/Fan Motor | DRIVEN BY TUMBLER MOTOR | | | | | | | | | | |
| Door Opening (Diameter) | 21-1/2" (54.61 cm) | | | | | | | | | | |
| Door Sill Height | 12-1/2" (31.75 cm) | | | | | | | | | | |
| Dryers per 20'/40' Container | 42/ 84 | | | | | | | | | | |
| Dryers per 48'/53' Truck | 96 / 108 | | | | | | | | | | |
| Width | 27" (68.6 cm) | | | | | | | | | | |
| Depth | 30-5/8" (77.8 cm) | | | | | | | | | | |
| Height | 43-27/32" (111.33 cm) | | | | | | | | | | |
| Airflow | 60 Hz 220 cfm (6.23 cmm) | | | | | | | | | | |
| Exhaust Connection | 4" (10.16 cm) | | | | | | | | | | |
| GAS MODEL: | Voltage Available 120v 1ø 2w 60 Hz Approx. Net Wt. 151 lbs (68.49 kg) Approx. Ship Wt. 171 lbs (77.56 kg) Heat Input 26,000 btu/hr (6,550 kcal/hr) Inlet Pipe Connection 3/8" M.N.P.T. | | | | | | | | | | |
| ELECTRICAL MODEL: | Voltage Available 220-240V 1ø 50/60 Hz Approx. Net Wt. 151 lbs (68.49 kg) Approx. Ship Wt. 171 lbs (77.56 kg) Exhaust Connection (Diameter) 4" (10.16 cm) | | | | | | | | | | |
| | <table border="1"> <thead> <tr> <th colspan="2">Oven Size per pocket</th> </tr> <tr> <th>kW</th> <th>Btu/hr (kcal/hr)</th> </tr> </thead> <tbody> <tr> <td>4.1</td> <td>13,843 (3,488)</td> </tr> <tr> <td>5.0</td> <td>17,065 (4,300)</td> </tr> <tr> <td>5.4</td> <td>18,430 (4,644)</td> </tr> </tbody> </table> | Oven Size per pocket | | kW | Btu/hr (kcal/hr) | 4.1 | 13,843 (3,488) | 5.0 | 17,065 (4,300) | 5.4 | 18,430 (4,644) |
| Oven Size per pocket | | | | | | | | | | | |
| kW | Btu/hr (kcal/hr) | | | | | | | | | | |
| 4.1 | 13,843 (3,488) | | | | | | | | | | |
| 5.0 | 17,065 (4,300) | | | | | | | | | | |
| 5.4 | 18,430 (4,644) | | | | | | | | | | |

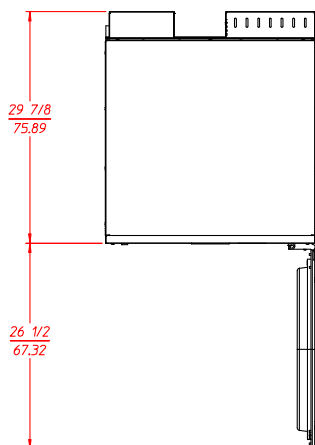
* Specifications in parentheses are metric equivalents.

11/30/11

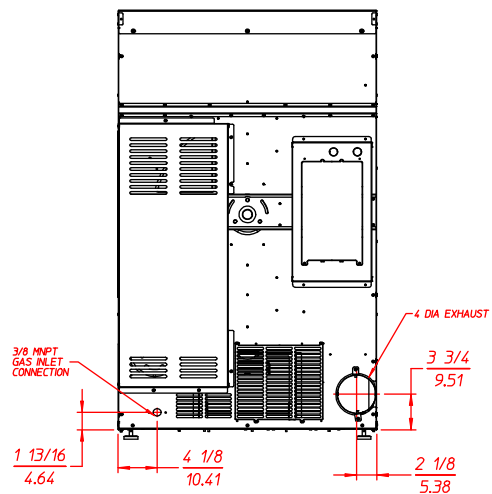


Electrical Service Specifications

| SERVICE VOLTAGE | PHASE | WIRE SERVICE | GAS | | CIRCUIT BREAKER |
|-----------------|-------|--------------|-----------------------|-------|-----------------|
| | | | APPROX AMP DRAW 60 Hz | 50 Hz | |
| 120 | 1ø | 2 | 11.5 | - | 15 |



REAR VIEW



88 Currant Road Fall River, MA 02720-4781 • 508.678.9000 • Fax: 508.678.9447 • Email: sales@amdry.com

P/N web-only REV 11/30/11

www.amdry.com