

ADC AD-30x2

30-lb Capacity Coin Dryer

Standard Features:

- 30-lb. capacity
- 11 cu. ft basket volume
- 72,000 btu/hr heat input, 450 cfm. airflow
- Trans-axial airflow
- Dual micro controls
- Steel door with gasketless glass
- Two independently controlled pockets
- Fits through a 32" door
- Available in gas heat
- Available in white front and cabinet
- Two-point roller support with center rear bearing system

Optional Features:

- Stainless steel or grey front, cabinet & basket
- Multi-colored door trim
- Single phase reversing
- S.A.F.E. (Sensor Activated Fire Extinguishing System) on Phase 7 machines



AD-30x2 Coin Dryer

Why Purchase ADC AD-30x2?

Multi-colored Door Trim

Exclusively for the AD-30x2, store owners have the option of changing the hue of the door trim to match their laundry's branding. ADC understands the importance of consistency when it comes to brand identity so we leave the choice of color up to you.

Rugged Steel Door with Gasketless Door Glass

Our dryer doors are one solid piece of steel with gasketless glass. This eliminates the issue of glass falling out due to wear and tear on rubber gaskets that some manufacturers use to secure their glass. The security and durability that gasketless glass provides is essential to a successful laundromat operation.

Two-Point Roller Drive with Center Bearing System

The AD-30x2 is designed with a two-point roller support with center bearing system, eliminating costly repairs and downtime due to trunnion failures.

More for Less

The AD-30x2 incorporates all of the state-of-the-art design features from the leader in stack dryer design with simple controls and an easy-to-read LCD screen. The AD-30x2 includes efficient trans-axial airflow and rugged roller supported tumblers. This space saving dryer is only 31-1/2" wide and less than 40" deep with a large capacity tumbler that can handle oversized loads. This machine is also fast drying and efficient, in addition to having exceptionally quiet and smooth operation.

Your local ADC independent authorized distributor



ADC AD-30x2

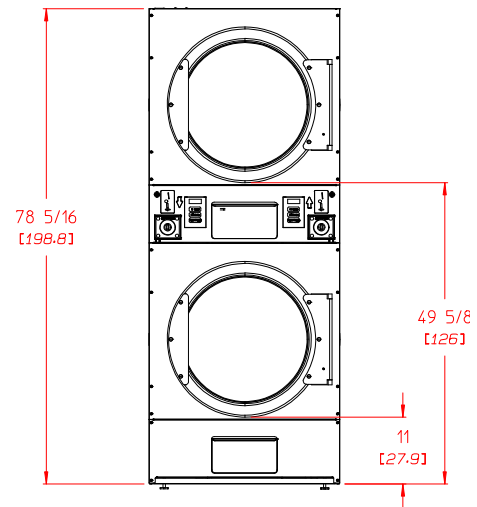
AD-30x2 Specifications	
Tumbler Capacity (dry weight)	30 lbs. (13.6 kg)
Tumbler Diameter	30" (76.2 cm)
Tumbler Depth	27" (68.5 cm)
Tumbler Volume	11 cu ft (311.5 L)
Tumbler/Drive Motor	1/4 hp (0.19 kW)
Blower/Fan Motor	1/2 hp (.37 kW)
Door Opening (Diameter)	21-1/2" (54.6 cm)
Door Sill Height	51-3/4" / 13-1/8" (131.4 cm / 33.3 cm)
Dryers per 20'/40' Container	14/ 28
Dryers per 48'/53' Truck	36 / 42
Width	31-1/2" (80 cm)
Depth	39-5/8" (100.7 cm)
Height	78-5/16" (198.8 cm)
Airflow (per pocket)	60 Hz 450 cfm (12.74 cmm)
Exhaust Connection (per pocket)	6" (15.2 cm)
GAS MODEL:	Voltage Available 120v-240v 1ø 2w 50/60 Hz
	Approx. Net Wt. 520 lbs (236 kg)
	Approx. Ship Wt. 550 lbs (249 kg)
	Heat Input (per pocket) 72,000 btu/hr (18,144 kcal/hr)
	Inlet Pipe Connection 1/2" M.N.P.T.

* Specifications in parentheses are metric equivalents.

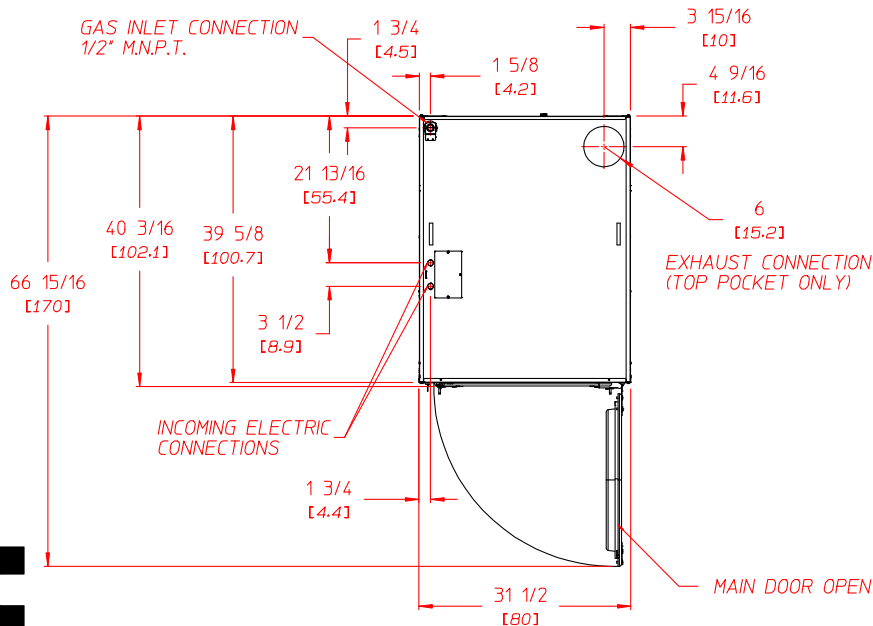
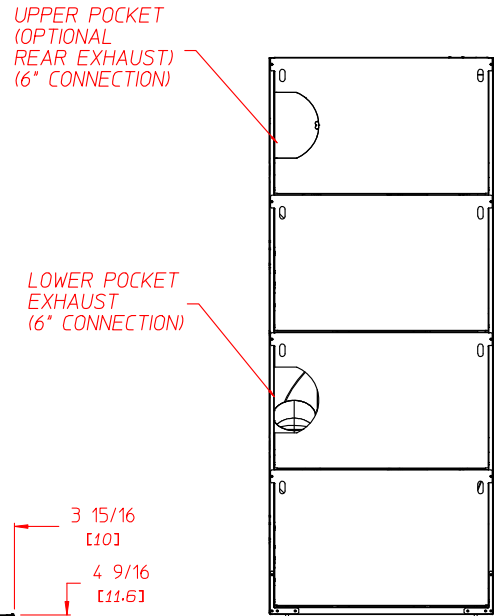
REV 7/20/12

Electrical Service Specifications					
GAS					
SERVICE VOLTAGE	PHASE	WIRE SERVICE	APPROX AMP DRAW		CIRCUIT BREAKER
			60 Hz	50 Hz	
120	1ø	2	14.2	--	20
120	1ø	2	7.1	--	15 (2)
220	1ø	2	4.6	--	15
240	1ø	2	4.6	--	15

FRONT VIEW



REAR VIEW



TOP VIEW



88 Currant Road Fall River, MA 02720-4781 • 508.678.9000 • Fax: 508.678.9447 • Email: sales@amdry.com

P/N 451039 6/12

www.amdry.com