

# ADC EcoDry ES-5050

## 50-lb x 2 Capacity Coin Stack Dryer

### Standard Features:

- 50-lb. x 2 capacity
- Self-Diagnostic Microprocessor Control
- 100% Axial Airflow
- Completely Sealed Basket
- Non-Perforated Ribs and Basket
- Dual-Paned Door Glass
- Four-Point Roller Support System

### Optional Features:

- Stainless Steel Front, Cabinet & Basket
- Residual Moisture Control (Coin RMC)
- Single Phase Reversing
- S.A.F.E. (Sensor Activated Fire Extinguishing System)

### Why Purchase ADC EcoDry?

#### 100% Axial Airflow (standard)

EcoDry tumblers incorporate a 100% axial airflow design with a completely sealed basket. This ensures the most efficient drying available on the market today without sacrificing dry times.

#### Four-Point Roller Support System (standard)

EcoDryers are designed with a four-point roller support system, eliminating costly repairs and downtime due to trunnion failures.

#### Available Option: Single Phase Reversing

Single Phase Reversing is an optional feature on the ES-5050. What once was an expensive option requiring an upgrade from single phase to three phase electrical service is now available in single phase. A reversing tumbler ensures that the load doesn't "rope" or "ball up", providing a quicker, more even drying process.

#### Available Option: Residual Moisture Control

EcoDry utilizes a unique Residual Moisture Control (Coin RMC) sensing system to measure the presence of moisture in the load. The patented system will save the coin laundry owner utility costs as it senses when the load is dry even if there is time left on the coin meter. Coin RMC reduces the heat input while it continues to run the tumbler and provides the end-user with dry, warm clothes. Coin RMC ensures full revenue for the laundry owner while at the same time reducing utility costs.

Your local ADC independent authorized distributor



ES-5050 Coin Stack Dryer

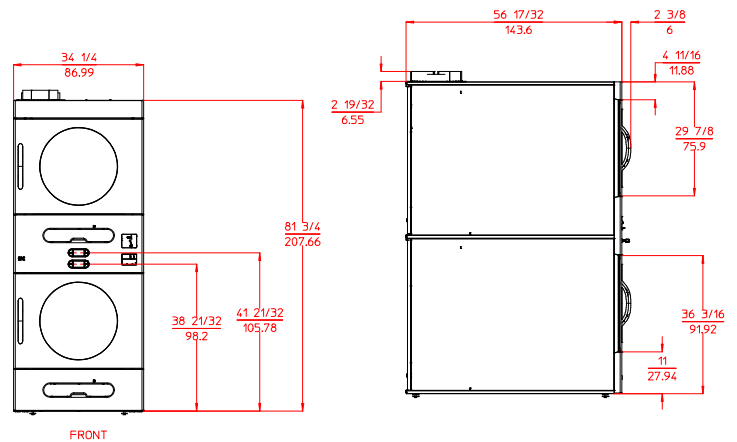
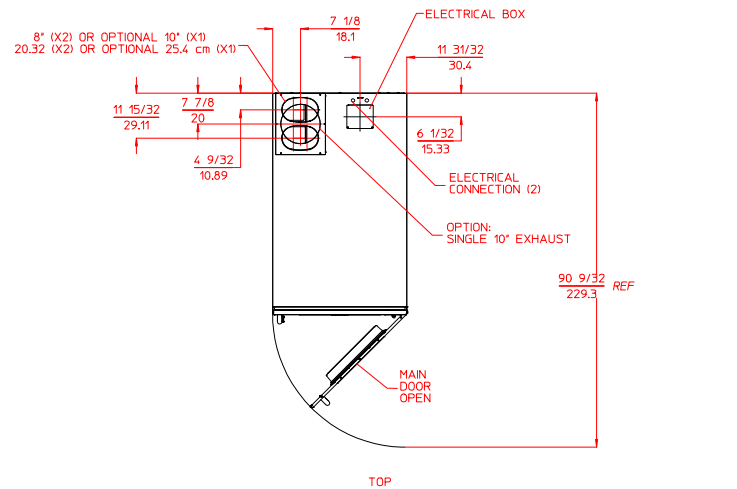
# ADC EcoDry ES-5050

ES-5050 Specifications	
Tumbler Capacity (dry weight per pocket)	50 lbs. (22.68 kg) x 2
Tumbler Diameter	32-3/4" (83.19 cm)
Tumbler Depth	32-3/4" (83.19 cm)
Tumbler Volume per pocket	16 cu ft (453.0 L)
Tumbler/Drive Motor per pocket	1/3 hp (0.25 kW)
Blower/Fan Motor per pocket	60 Hz 1/4 hp (0.186 kW)
	50 Hz 1/2 hp (0.33 kW)
Door Opening (Diameter)	23-3/4" (60.3 cm)
Door Sill Height top pocket / bottom pocket	54-1/4" (137.8 cm) / 12" (30.5 cm)
S.A.F.E. Water Connection	North America N/A
	Outside North America N/A
Dryers per 20'/40' Container	8 / 16
Dryers per 48'/53' Truck	25 / 27
Width	34-1/4" (87.0 cm)
Depth	56-3/8" (143.19 cm)
Height	81-3/4" (207.66 cm)
Airflow per pocket	60 Hz 540 cfm (15.20 cmm)
	50 Hz 437 cfm (12.37 cmm)
Exhaust Connection	Standard 2 8" (20.32 cm)
	Optional 1 10" (25.4 cm)
GAS MODEL:	Approx. Net Wt. 900 lbs (408.23 kg)
	Approx. Ship Wt. 946 lbs (429.09 kg)
	Heat Input
	60 Hz 110,000 btu/hr (27,720 kcal/hr)
	50 Hz 90,000 btu/hr (22,680 kcal/hr)
	Inlet Pipe Connection per pocket (CE and Australia Only) 1/2" M.N.P.T. Water Connection 3/4"-11.5 NH (Outside North American) 3/4" B.S.P.T.

\* Not available in electric or steam models.

\*\* Specifications in parentheses are metric equivalents.

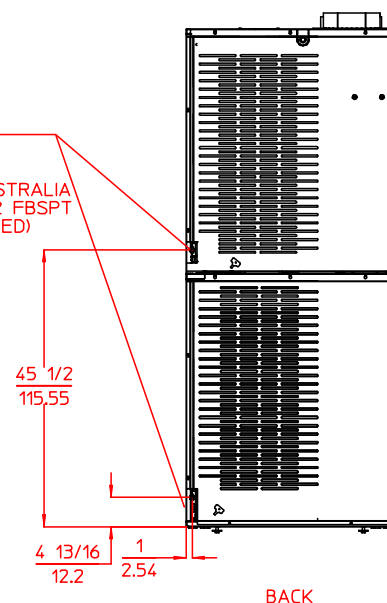
REV12/05/11



Electrical Service Specifications					
SERVICE VOLTAGE	PHASE	WIRE SERVICE	APPROX AMP DRAW		CIRCUIT BREAKER
			60 Hz	50 Hz	
GAS					
120	1ø	2	25.9	--	25
200	1ø	2	14.7	--	20
208	1ø	2	14.7	--	20
220	1ø	2	--	11.3	20
230	1ø	2	13.7	--	20
240	1ø	2	13.4	7.0	20

1/2 MNPT GAS INLET CONNECTION

FOR CE AND AUSTRALIA (1/2 FNPT TO 1/2 FBSPT ADAPTOR INCLUDED)



88 Currant Road Fall River, MA 02720-4781 • 508.678.9000 • Fax: 508.678.9447 • Email: sales@amdry.com

P/N 450620 1/12

www.amdry.com