

# MLE/MLG20PD

MAYTAG® COMMERCIAL  
ENERGY ADVANTAGE™  
STACK WASHER/DRYER



## LEGENDARY MAYTAG DEPENDABILITY

Maximizing your equipment investment for over a half century.

### CEE TIER III RATED

WF: 3.87  
MEF: 2.48



### MORE ENERGY-SAVING SOLUTIONS THAN ANY OTHER BRAND

Maytag built the first appliance ever to receive the ENERGY STAR® label. Today we offer more high-efficiency laundry appliances than any other brand—from energy-efficient dryers to highly efficient ENERGY STAR®-qualified washers—to help you save money and build profits.

### MICROPROCESSOR CONTROLS, COIN-DROP

Maytag® Computer Trac® controls are easy to program and operate. Plus, they give owners the flexibility to set vend prices by day, time, water temperature and Super Cycle options.

### SAVE SPACE AND CUT UTILITY COSTS

A Maytag® Commercial Energy Advantage™ stack washer/dryer gives you a full-size high-efficiency washer and a super-capacity dryer in the space of a washer alone. Plus the ENERGY STAR® rating means you'll save on utility bills.

### FOR YOUR CUSTOMERS:

- Single Payment System
- Large Capacity For Bulky Items—3.2 cu. ft. Capacity Washer/ 6.7 cu. ft. Capacity Dryer
- High-Speed Extraction Cuts Drying Time (as high as 1,000 RPMs)
- Front Control Panel 20° Angle For Easy Viewing
- Easy-To-Use One-Touch Cycle Selection
- Quick Cycle Reduces Total Wash Time
- Washer is ADA-Compliant

### FOR YOUR OPERATION:

- High-Efficiency Washer Meets CEE Tier III Rating
- Super Cycle Option Increases Revenue
- Accu Trac® Audit System With Two-Way Data Communication
- Debit Card Compatible
- Automatic Load Balancing
- Built-in Oversudsing Protection
- TurboVent™ Dryer Technology
- Reversible Door, Dryer Only

### BUILT-TO-LAST™ FEATURES:

- Precision Endurance Drive
- Best Warranty In The Business—5 Years All Parts



**SAVE UP TO 60% YEARLY\***  
**ON ENERGY, WATER AND SEWER COSTS**

visit [maytagcommerciallaundry.com](http://maytagcommerciallaundry.com)  
or call 800-662-3587

\* Maytag® Commercial front-load washer compared to commercial top-load washer. Individual savings may vary.

ML100206B



## OUR COMMITMENT TO DEPENDABLE QUALITY

At Maytag, we believe durable goods should remain just that. That's why every Maytag® product is constructed of the highest-quality materials and with the utmost in precision craftsmanship. It's also why we stand behind our equipment with solid service and support from our professional Maytag laundry suppliers. Simply put, when you choose Maytag® products, you ensure your peace of mind.



## MLE/MLG20PD

MAYTAG® COMMERCIAL ENERGY ADVANTAGE™ STACK WASHER/ DRYER

MICROPROCESSOR CONTROLS

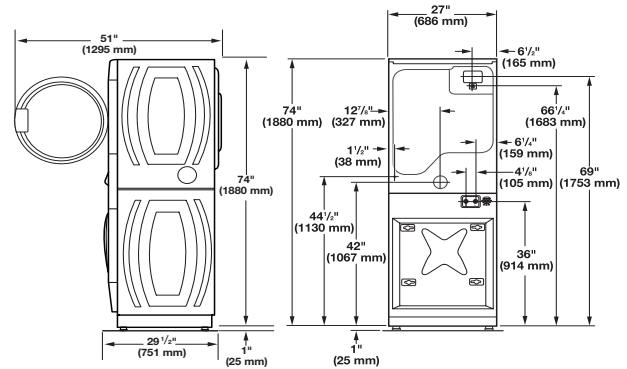


## THE BEST WARRANTY IN THE BUSINESS— 5 YEARS ON ALL PARTS

For a period from the date of original purchase through the time listed above, the designated parts that fail in normal commercial use will be repaired or replaced free of charge for the part itself, with the owner paying all other costs, including labor, transportation and customs duty. Chemical damage is excluded from all warranty coverage. See complete warranty for details.

WASHER SPECIFICATIONS	
<b>MODEL</b>	MLE/MLG20PD
<b>MOTOR</b>	
120V, 60 Hz, variable-speed, reversible, thermoprotected, high-efficiency, controlled induction	Yes
Export models—220–240V, 50 Hz	Yes
Wash—HP (kw)	.09 (.07)
Extract—HP (kw)	.54 (40)
Average washer energy consumption per cycle (kWh)	.054
<b>CAPACITY</b>	
Cylinder volume—cu. ft. (liters)	3.2 (91)
Cylinder diameter—in. (mm)	21.6 (549)
Cylinder depth—in. (mm)	13.4 (340)
<b>WATER INLET/HOSE</b>	
Inlet hose length/drain hose length—ft. (m)	4 (1.22)/6 (1.83)
Water supply pressure—psi (bar)	20–100 (1–8)
<b>APPROXIMATE WATER USAGE—GALLONS (LITERS)</b>	
Average hot water usage, hot water cycle	3.4 (12.8)
Average hot water usage, warm water cycle	1.6 (6.1)
Average total water usage per cycle	12.4 (47)*
<b>SPEED</b>	
Wash speed—RPM	40
Extract speed—max RPM/max g-force	1,000/306
<b>BREAKER/FUSE MINIMUM REQUIREMENTS</b>	
MLE electric models—amps	30
MLG gas model/export gas model—amps	15/10
<b>SOUND LEVEL (EXPORT MODEL ONLY)</b>	
Sound pressure level, Lpa (dba) (Kpa: +/-3.6dba)	58
<b>DRYER SPECIFICATIONS</b>	
<b>MOTOR</b>	
Variable-speed, reversible, thermoprotected, high-efficiency, controlled induction	Yes
HP (kw)	.33 (.25)
Tumble speed—RPM	50 +/- 1
<b>CAPACITY—CU. FT. (LITERS)</b>	
MLE electric model—MLG gas model	240/60–120/60
Export models	220–240/50
<b>HEATING ELEMENT RATING</b>	
MLE electric domestic models/export models—watts	5,600/4,600
MLE electric Canadian models—watts	5,250
MLG gas domestic models—BTU/hr. (kcal/hr.)	24,000 (6,048)
MLG gas export models—BTU/hr. (kcal/hr.)	20,000 (5,040)
<b>GAS INLET</b>	
MDG model—in.	3/8 N.P.T.
<b>AIRFLOW</b>	
MDG gas models—cfm (cmm)	230 (6.5)
MDE electric models—cfm (cmm)	215 (6.1)
<b>ADJUSTABLE LEVELING LEGS</b>	
	Yes
<b>COLOR</b>	
	White
<b>APPROXIMATE WEIGHT</b>	
Crated—lbs (kg) electric/gas	383 (173)/389 (176)
Uncrated—lbs (kg) electric/gas	372 (169)/378 (171)
<b>DIMENSIONS</b>	
Width—in. (mm)	27 (686)
Depth—in. (mm)	29.5 (749)
Product height—in. (mm)	74 (1880)
Door opening—washer—sq. in.	143
Door opening—dryer—sq. in.	191
<b>WARRANTY</b>	
	5-Year

\*Average based on DOE J1 testing with factory preset cycles. Because of continuous product improvements, Maytag reserves the right to change specifications without notice.



Side View

Back View

### 4" (120mm) DIAMETER EXHAUST HOODS MAXIMUM EXHAUST DUCT LENGTH PER NUMBER OF TURNS

Number Of 90° Turns	Rigid Metal Vent	
	Box Hood and Louvered Style	Angled Hood Style
0	135 ft. (41.2 m)	129 ft. (39.3 m)
1	125 ft. (38.1 m)	119 ft. (36.3 m)
2	115 ft. (35.1 m)	109 ft. (33.2 m)
3	106 ft. (32.3 m)	100 ft. (30.5 m)
4	98 ft. (29.9 m)	92 ft. (28.0 m)



NEW YORK CITY M.E.A.

