

ADC AD-115

115-lb Capacity Coin Dryer

Standard Features:

- 115-lb. capacity
- 33.10 cu. ft. basket volume
- 343,000 Btu/hr heat input, 2,100 cfm airflow
- Self diagnostic microprocessor with patented auto drying feature
- Steel door with gasketless glass
- Easy to clean lint drawer
- Fits through a standard 48" door opening
- Reversing basket is standard
- Available in gas, steam and electric heat

Optional Features:

- Stainless steel front, cabinet & basket
- S.A.F.E. (Sensor Activated Fire Extinguishing System)

COIN



AD-115 Coin Dryer

Why Purchase ADC AD-115?

Engineer Driven Design That is Built to Last

Our dryers showcase ADC's engineer-driven approach to design. Bearings are permanently lubricated on the motor and drive system. There are no chains used at ADC; rather, we use V-belts and pulleys for smooth, quiet, and trouble free operation. Our dryer cabinets are electrostatically powder-painted inside and out then baked at 420-degrees fahrenheit before final assembly - ensuring the hardest surface and the longest lasting finish in the industry.

Rugged Steel Door with Gasketless Door Glass

Our dryer doors are one solid piece of steel with gasketless glass. This eliminates the issue of glass falling out due to wear and tear on rubber gaskets that some manufacturers use to secure their glass. The security and durability that gasketless glass provides is essential to a successful laundromat operation.

Easy-to-Read, Multilingual Controls

We were the first to bring computer operated dryers to the market and today we continue to be a leader in applying technology to dryer operation. Our years of experience along with our accessible design, easy-to-read LCD screens and our user friendly multilingual interface positions ADC as the pioneer in the laundry industry.

Your local ADC independent authorized distributor



ADC AD-115

AD-115 Specifications

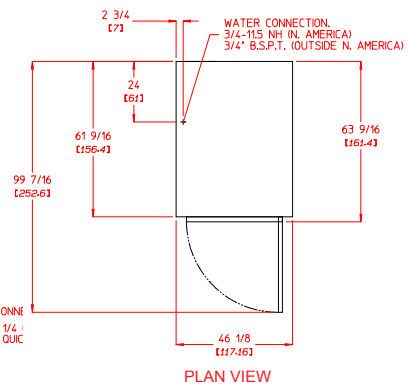
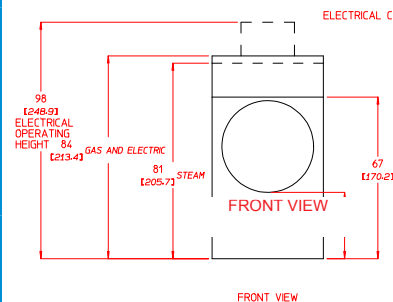
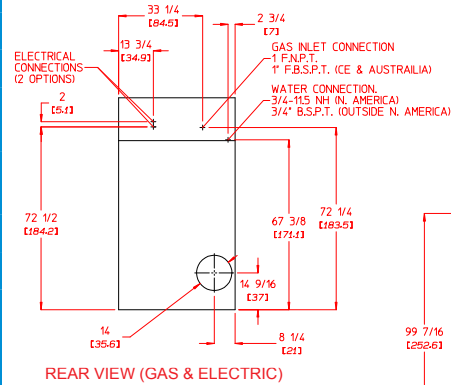
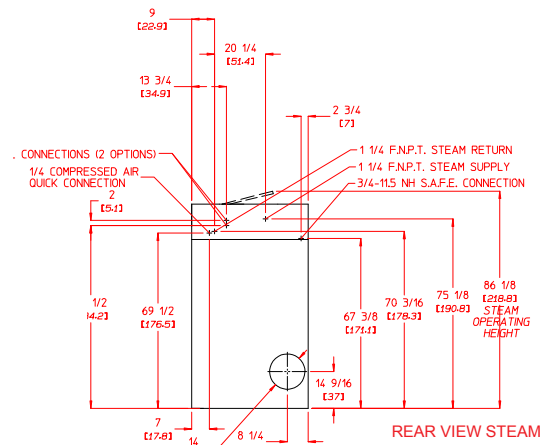
| | |
|---------------------------------|---|
| Tumbler Capacity (dry weight) | 115 lbs. (52.16 kg) |
| Tumbler Diameter | 42" (106.68 cm) |
| Tumbler Depth | 41-1/4" (104.78 cm) |
| Tumbler Volume | 33.10 cu ft (937.29 L) |
| Tumbler/Drive Motor | 3/4 hp (0.56 kW) |
| Blower/Fan Motor | 3 hp (2.24 kW) |
| Door Opening (Diameter) | 31-3/8" (79.69 cm) |
| Door Sill Height | 27-1/2" (69.85 cm) |
| S.A.F.E. Water Connection | 3/4"-11.5 NH (North America) 3/4" B.S.P.T. (Outside North America) |
| Dryers per 20'/40' Container | 4 / 8 |
| Dryers per 48'/53' Truck | 9 / 10 |
| Width | 46-1/8" (117.16 cm) |
| Depth | 63-9/16" (161.4 cm) |
| Height (gas/steam/electric) | 84" (213.4 cm) / 86-1/8" (218.8cm) / 98" (248.9 cm) |
| Airflow gas/electric/steam | 60 Hz 2,100 cfm (59.47 cmm) 50Hz 1,750 cfm (49.55 cmm) |
| Exhaust Connection | 14" (35.56 cm) |
| Voltage Available | 208-575v 3ø 3,4w 50/60 Hz |
| GAS MODEL: | |
| Approx. Net Wt. | 1,260 lbs (571.53 kg) |
| Approx. Ship Wt. | 1,400 lbs (635.03 kg) |
| Heat Input | 343,000 btu/hr (86,435 kcal/hr) |
| Inlet Pipe Connection | 1" F.N.P.T. 1" F.B.S.P.T. (CE and Australia Only) |
| ELECTRICAL MODEL: | |
| Approx. Net Wt. | 1,260 lbs (571.53 kg) |
| Approx. Ship Wt. | 1,400 lbs (635.03 kg) |
| Exhaust Connection (Diameter) | 14" (35.56 cm) |
| Oven Size per pocket | |
| kW | Btu/hr (kcal/hr) |
| 60 | 204,700 (51,600) |
| 72 | 245,700 (61,900) |
| STEAM MODEL: | |
| Approx. Net Wt. | 1,555 lbs (705.34 kg) |
| Approx. Ship Wt. | 1,695 lbs (768.84 kg) |
| Steam Consumption | 375 lb/hr (170.10 kg/hr) |
| Operating Steam Pressure | 125 psi max (8.62 bar) |
| Exhaust Connection (Diameter) | 14" (20.32 cm) |
| Boiler Horsepower (Normal Load) | 11 Bhp |
| Compressed Air Volume | 0.75 cfm (0.02 cmh) |
| Supply Connection | (2) 1-1/4" M.N.P.T. |
| Return Connection | (2) 1" F.N.P.T. |

* Specifications in parentheses are metric equivalents.

5/26/06

Electrical Service Specifications

| GAS & STEAM | | | | | |
|-----------------|-------|--------------|-----------------|-------|-----------------|
| SERVICE VOLTAGE | PHASE | WIRE SERVICE | APPROX AMP DRAW | | CIRCUIT BREAKER |
| | | | 60 Hz | 50 Hz | |
| 208 | 3ø | 3 | 14.5 | -- | 20 |
| 230 | 3ø | 3 | -- | 16.0 | 25 |
| 240 | 3ø | 3 | 14.6 | -- | 20 |
| 380 | 3ø | 4* | -- | 8.7 | 15 |
| 400 | 3ø | 4* | -- | 8.5 | 15 |
| 416 | 3ø | 4* | -- | 9.0 | 15 |
| 460 | 3ø | 3 | 7.8 | -- | 15 |
| 480 | 3ø | 3 | 7.8 | -- | 15 |
| 575 | 3ø | 3 | 5.8 | -- | 15 |



Electrical Service Specifications

| SERVICE VOLTAGE | PHASE | WIRE SERVICE | APPROX AMP DRAW | | CIRCUIT BREAKER |
|-----------------------|-------|--------------|-----------------|-------|-----------------|
| | | | 60 Hz | 50 Hz | |
| 60 kW Electric | | | | | |
| 208 | 3ø | 3 | 181 | -- | 250 |
| 230 | 3ø | 3 | -- | 167 | 200 |
| 240 | 3ø | 3 | 159 | -- | 200 |
| 380 | 3ø | 4* | -- | 100 | 125 |
| 400 | 3ø | 4* | -- | 95 | 125 |
| 416 | 3ø | 4* | -- | 92 | 125 |
| 460 | 3ø | 3 | 83 | -- | 125 |
| 480 | 3ø | 3 | 80 | -- | 100 |
| 575 | 3ø | 3 | 66 | -- | 100 |
| 72 kW Electric | | | | | |
| 208 | 3ø | 3 | 214 | -- | 300 |
| 230 | 3ø | 3 | -- | 197 | 250 |
| 240 | 3ø | 3 | 188 | -- | 250 |
| 380 | 3ø | 4* | -- | 118 | 150 |
| 400 | 3ø | 4* | -- | 112 | 150 |
| 416 | 3ø | 4* | -- | 109 | 150 |
| 460 | 3ø | 3 | 98 | -- | 125 |
| 480 | 3ø | 3 | 94 | -- | 125 |
| 575 | 3ø | 3 | 78 | -- | 100 |

web-only document 10/10



88 Currant Road Fall River, MA 02720-4781 • 508.678.9000 • Fax: 508.678.9447 • Email: sales@amdry.com

www.amdry.com