

ADC AD-444

45-lb x 2 Capacity Coin Dryer

Standard Features:

- 45-lb. x 2 capacity
- 14.6 cu. ft. volume
- 106,000 Btu/hr heat input, 530 cfm airflow per pocket
- Partial axial airflow
- Steel door with gasketless glass
- Two 8" diameter top exhaust connections
- Optional single 10" exhaust connection
- 1/2" gas connection per pocket
- Single coin drop
- Fits through a standard 36" door
- Available in gas heat
- Available in gray and white front and cabinet

COIN



Why Purchase ADC AD-444?

AD-444 Coin Stack Dryer



Engineer Driven Design That is Built to Last

Our dryers showcase ADC's engineer-driven approach to design. Bearings are permanently lubricated on the motor and drive system. There are no chains used at ADC; rather, we use V-belts and pulleys that simplify serviceability and ensure smooth, quiet, and trouble free operation. Our dryer cabinets are electrostatically powder-painted inside and out then baked at 420-degrees fahrenheit before final assembly - ensuring the hardest surface and the longest lasting finish in the industry.

Rugged Steel Door with Gasketless Door Glass

Our dryer doors are one solid piece of steel with gasketless glass. This eliminates the issue of glass falling out due to wear and tear on rubber gaskets that some manufacturers use to secure their glass. The security and durability that gasketless glass provides is essential to a successful laundromat operation.

More for Less

The AD-444 incorporates all the state-of-the-art design features from the leader in stack dryer design-with simple controls, an easy-to-read LED screen and a large lightweight lint drawer that is accessible and easy to clean--only requiring cleaning once a day. It's fine stainless steel lint screen is standard. Available for coin or card ready, the AD-444 gives you all the benefits of ADC quality engineering at a low cost

Your local ADC independent authorized distributor

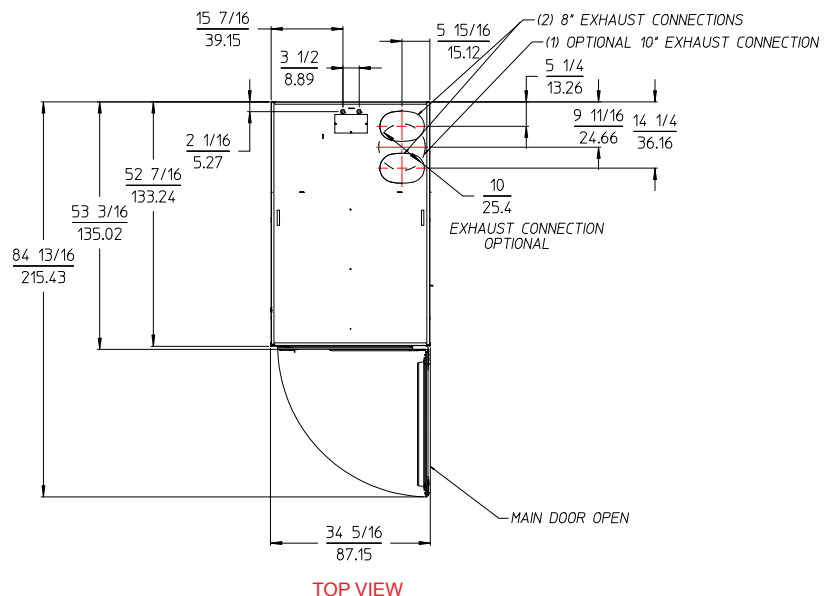
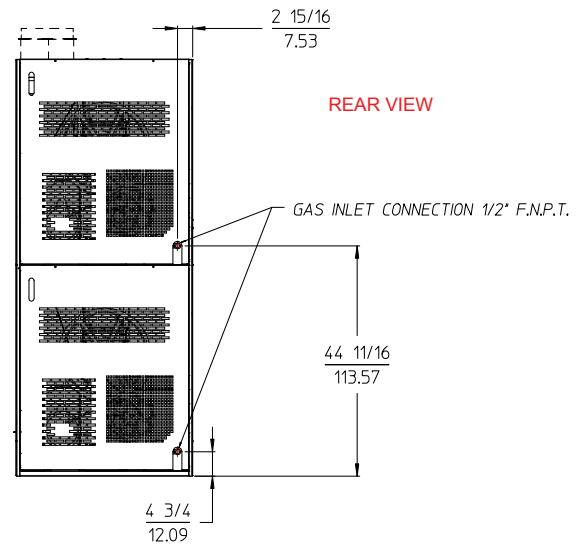
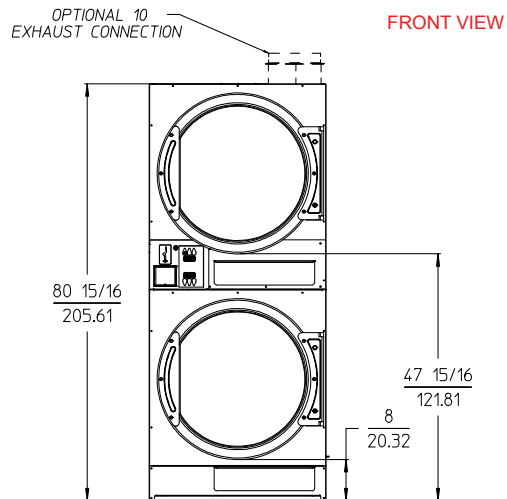


ADC AD-444

AD-444 Specifications	
Tumbler Capacity (dry weight)	45 lbs. (20.41 kg) x 2
Tumbler Diameter	32-3/4" (83.19 cm)
Tumbler Depth	30" (76.20 cm)
Tumbler Volume	14.6 cu ft (413.43 L)
Tumbler/Drive Motor	3/4 hp (0.56 kW)
Blower/Fan Motor	N/A
Door Opening (Diameter)	27" (68.58 cm)
Door Sill Height top pocket / bottom pocket	50-1/4" (127.64 cm) 10-1/4" (26.04 cm)
Dryers per 20'/40' Container	8 / 16
Dryers per 48'/53' Truck	25 / 27
Width	34-5/16" (87.15 cm)
Depth	53-3/16" (135.02 cm)
Height	80-15/16" (205.6 cm)
Airflow	60 Hz 530 cfm (15 cmm) 50 Hz 442 cfm (12.52 cmm)
Exhaust Connection	8" (20.32 cm) Standard x2 10" (25.4 cm) Optional x 1
GAS MODEL:	Voltage Available 120-240v 1,3ø 2,3w Approx. Net Wt. 905 lbs (410.5 kg) Approx. Ship Wt. 940 lbs (426.4 kg) Heat Input (per pocket) 106,000 btu/hr (26,712 kcal/hr) Inlet Pipe Connection (per pocket) 1/2" F.N.P.T.

Specifications in parentheses are metric equivalents.

7/12/12



Electrical Service Specifications					
GAS					
SERVICE VOLTAGE	PHASE	WIRE SERVICE	APPROX AMP DRAW		CIRCUIT BREAKER
			60 Hz	50 Hz	
120	1ø	2	12.0	--	15
208	1ø	2	7.0	--	15
230	1ø	2	6.5	--	15
208	3ø	3	3.0	--	15
240	3ø	3	3.2	--	15



88 Carrant Road Fall River, MA 02720-4781 • 508.678.9000 • Fax: 508.678.9447 • Email: sales@amdry.com

P/N Web-document Rev. 11/11

www.amdry.com