

# ADC AD-758V

## 75-lb Capacity OPL Dryer

### Standard Features:

- 75-lb. capacity
- 21.50 cu. ft basket volume
- 175,000 Btu/hr heat input, 1,000 cfm airflow
- Radial airflow
- Steel door with gasketless glass
- 8" diameter vent connection
- Easy to clean lint drawer
- Available in gas, steam and electric heat

### Optional Features:

- Stainless steel front, cabinet & basket
- Reversing basket
- S.A.F.E. (Sensor Activated Fire Extinguishing System)



AD-758V OPL Dryer

## Why Purchase ADC AD-758V?

### Engineer Driven Design That is Built to Last

Our dryers showcase ADC's engineer-driven approach to design. Bearings are permanently lubricated on the motor and drive system. There are no chains used at ADC; rather, we use V-belts and pulleys for smooth, quiet, and trouble free operation. Our dryer cabinets are electrostatically powder-painted inside and out then baked at 420-degrees fahrenheit before final assembly - ensuring the hardest surface and the longest lasting finish in the industry.

### Rugged Steel Door with Gasketless Door Glass

Our dryer doors are one solid piece of steel with gasketless glass. This eliminates the issue of glass falling out due to wear and tear on rubber gaskets that some manufacturers use to secure their glass. The security and durability that gasketless glass provides is essential to a successful laundromat operation.

### Easy-to-Read, Multilingual Controls

We were the first to bring computer operated dryers to the market and today we continue to be a leader in applying technology to dryer operation. Our years of experience along with our accessible design, easy-to-read LED screens and our user friendly multilingual interface positions ADC as the pioneer in the laundry industry.

Your local ADC independent authorized distributor



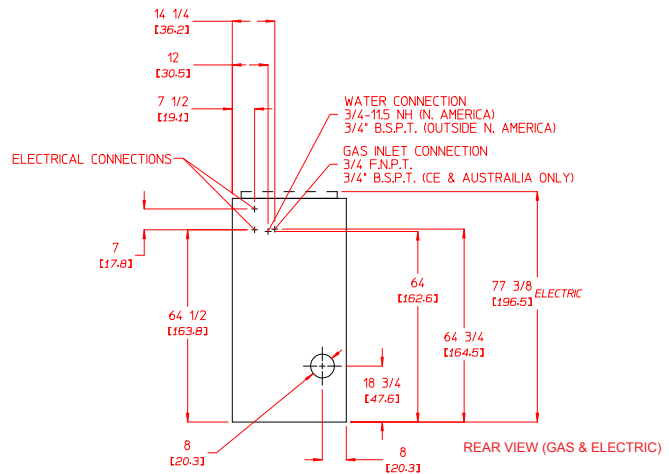
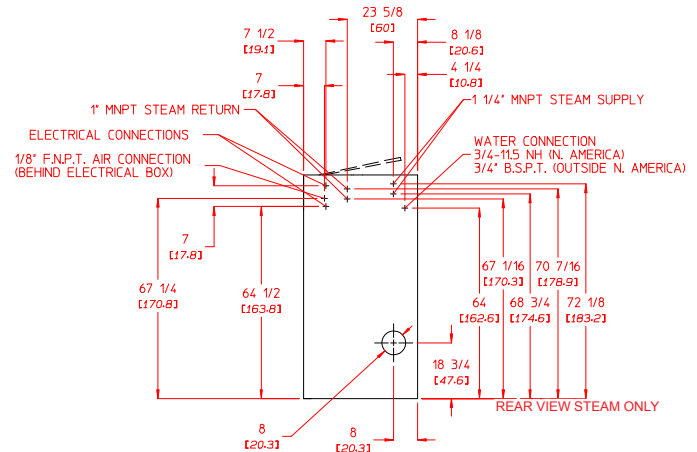
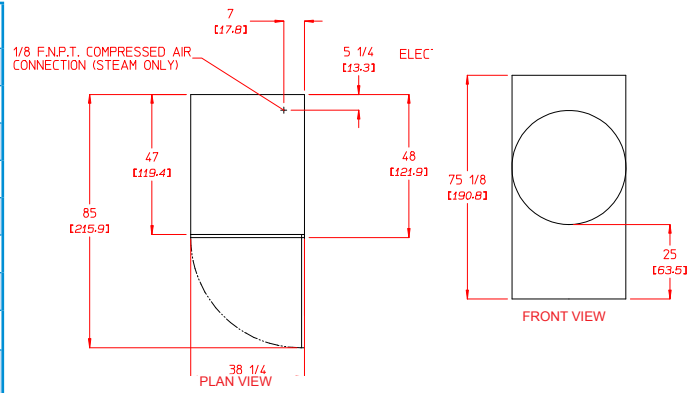
# ADC AD-758V

AD-758V Specifications							
Tumbler Capacity (dry weight)	75 lbs. (34.02 kg)						
Tumbler Diameter	36-1/4" (92.08 cm)						
Tumbler Depth	36" (91.44 cm)						
Tumbler Volume	21.50 cu ft (608.81 L)						
Tumbler/Drive Motor 200-208V 60 Hz / All Other	1 hp / 1/2 hp (0.75kW/0.37 kW)*						
Blower/Fan Motor	--/1 hp* (--/0.75 kW)						
Door Opening (Diameter)	31-3/8" (79.69 cm)						
Door Sill Height	28" (71.12 cm)						
S.A.F.E. Water Connection	3/4"-11.5 NH (North America) 3/4" B.S.P.T. (Outside North America)						
Dryers per 20'/40' Container	9 / 20						
Dryers per 48'/53' Truck	24 / 26						
Width	38-1/4" (97.16 cm)						
Depth	48" (121.9 cm)						
Height	75-1/8" (190.8 cm)						
Airflow (gas/electric)	60 Hz 1,000 cfm (28.32 cmm) 50 Hz 833 cfm (23.60 cmm)						
Exhaust Connection	8" (20.32 cm)						
GAS MODEL:	Approx. Net Wt. 721 lbs (327.04 kg) Approx. Ship Wt. 773 lbs (350.63 kg) Heat Input 175,000 btu/hr (44,099 kcal/hr) Inlet Pipe Connection 3/4" F.N.P.T. 3/4" B.S.P.T. (CE and Australia Only)						
ELECTRICAL MODEL:	Approx. Net Wt. 721 lbs (327.04 kg) Approx. Ship Wt. 773 lbs (350.63 kg) Exhaust Connection (Diameter) 8" (20.32 cm)						
<table border="1"> <thead> <tr> <th colspan="2">Oven Size</th> </tr> </thead> <tbody> <tr> <td>kW</td> <td>Btu/hr (kcal/hr)</td> </tr> <tr> <td>30</td> <td>102,400 (25,800)</td> </tr> </tbody> </table>		Oven Size		kW	Btu/hr (kcal/hr)	30	102,400 (25,800)
Oven Size							
kW	Btu/hr (kcal/hr)						
30	102,400 (25,800)						
STEAM MODEL:	Approx. Net Wt. 816 lbs (370.13 kg) Approx. Ship Wt. 868 lbs (393.72 kg) Steam Consumption 275 lb/hr (124.7 kg/hr) Operating Steam Pressure 125 psi max (18.62 bar) Exhaust Connection (Diameter) 8" (20.32 cm) Boiler Horsepower (Normal Load) 7.2 Bhp Supply Connection (2) 1-1/4" M.N.P.T. Return Connection (2) 1" M.N.P.T.						

Specifications in parentheses are metric equivalents.

9/24/12

\* Reversing Dryers use 3-phase (3ø) motors



Electrical Service Specifications					
SERVICE VOLTAGE	PHASE	WIRE SERVICE	APPROX AMP DRAW		CIRCUIT BREAKER
			60 Hz	50 Hz	
<b>30 kW Electric</b>					
208	3ø	3	91	--	150
220	3ø	3	85	--	125
230	3ø	3	--	83	125
240	3ø	3	79	--	100
380	3ø	3	48	--	60
380	3ø	4*	--	54	70
400	3ø	4*	--	51	70
416	3ø	4*	--	50	70
40	3ø	3	40	--	50
480	3ø	3	39	--	50
575	3ø	3	33	--	50

Electrical Service Specifications					
SERVICE VOLTAGE	PHASE	WIRE SERVICE	APPROX AMP DRAW		CIRCUIT BREAKER
			60 Hz	50 Hz	
<b>GAS &amp; STEAM</b>					
120	1ø	2	13.0	--	20
208	1ø	2	7.6	--	15
220	1ø	2	7.3	8.6	15
230	1ø	2	--	8.0	15
240	1ø	2	7.0	8.0	15
<b>GAS &amp; STEAM</b>					
208	3ø	3	4.7	--	15
220	3ø	3	4.8	--	15
230	3ø	3	--	4.7	15
240	3ø	3	4.9	--	15
380	3ø	4*	2.9	3.1	15
400	3ø	4*	--	3.2	15
416	3ø	4*	--	3.1	15
460	3ø	3	2.8	--	15
480	3ø	3	2.8	--	15



88 Currant Road Fall River, MA 02720-4781 • 508.678.9000 • Fax: 508.678.9447 • Email: sales@amdry.com

P/N 451021 10/10

www.amdry.com